



**WVAMC B6 Renovate and Modernize HVAC
Wichita, KS**

Electrical Cut Sheets

Prepared For:
M+HFG LLC

PEC Project No.:
180248-000

Date:
July 26, 2018

DESCRIPTION

Cruze LED is a specification lensed troffer series. This high quality luminaire is dedicated to the latest solid state lighting and driver technology for optimal performance and energy efficiency. The Cruze is compatible with all of today's popular ceiling systems and is available with a number of options and accessories for application versatility.

The Cruze series features efficiency, quality and performance. The series is an excellent choice for commercial office spaces, schools, hospitals or retail merchandising areas.

SPECIFICATION FEATURES

Construction

Rigid housing is die formed of code gauge prime cold rolled steel and features full length die-formed stiffeners and unibody endplate for added strength. Side flanges are hemmed. Innovative design provides superior lens brightness uniformity and visual comfort. Unibody endplates are securely attached with interlocking tabs and screws. Four auxiliary fixture end suspension points provided. Endplates have integral Grid-lock feature for safety and convenience.

Controls

The Cruze LED is Powered by Fifth Light, with a standard 0-10V continuous dimming driver that works with any 0-10V control/dimmer. Combine with energy saving products like occupancy sensors, daylighting controls and lighting relay panels to maximize energy savings. In addition, the Cruze can include a factory-installed integrated sensor system for occupancy and daylight dimming control and manual control from an optional handheld remote. Or, specify the Digital Addressable Lighting Interface (DALI) drivers, dimmable down to 10%, for use with Fifth Light

controls. See ordering information for details on all three options.

Electrical

Long-Life LED system coupled with electrical driver to deliver optimal performance. LED's available in 3000K, 3500K, 4000K or 5000K with a typical CRI \leq 85. Projected life is 60,000 hours at 80% lumen output. cULus listed. Electronic drivers are available for 120-277V and 347V applications.

Emergency Battery Pack Option

Optional 120v-277v integral emergency battery pack is available in 7-watts or 14-watts to meet critical life-safety lighting requirements. The 90-minute batteries provide constant power to the LED system, ensuring code-compliance. A test switch/indicator button can be tested safely from the ground using a laser pointer, while the patented EZ Key prevents accidental discharge of the battery during construction. See ordering information for details.

Finish

Multistage, iron phosphate pretreatment ensures maximum bonding and rust inhibition. Housing finished with 90%

Catalog #		Type	
Project		K2/K2E	
Comments		Date	
Prepared by			

reflective white enamel for superior performance.

Hinging/Latching

Positive cam action steel latches with baked white enamel finish. Safety-lock T-hinges allow hinging and latching either side. Door assembly hinges down for easy access from below.

Frame/Sheilding

Die formed, heavy gauge, flat steel door with reinforced mitered corners and painted after fabrication, baked matte white enamel finish. Positive light seals. Acrylic frosted lens.

Compliance

Modules are UL recognized components and indoor luminaires are cULus listed for 25°C ambient environments, RoHS compliant, and LED modules comply with IESNA LM-79 and LM-80 standards. DesignLights Consortium® Qualified and classified for both DLC Standard and DLC Premium, refer to www.designlights.org for details.

Warranty

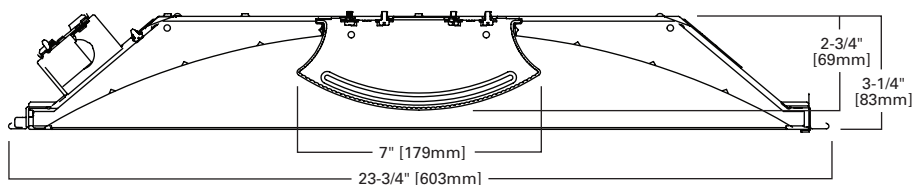
Five year warranty.



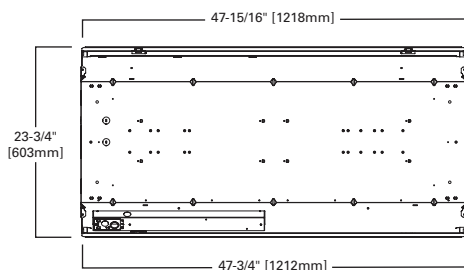
**24CZ
LED**

**2' X 4' TROFFER LED
MODULE**

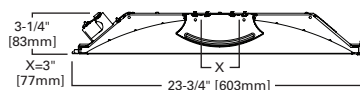
Specification Grade Troffer



MOUNTING DATA



LAMP CONFIGURATIONS



CERTIFICATION DATA

cULus - 1598
 Damp Location Listed
 IC Rated
 LM79/LM80 Compliant
 ROHS Compliant
 DesignLights Consortium® Qualified
 NOM Compliant

*See Drywall Frame Kit Accessory in Ordering Information Section

CEILING COMPATIBILITY

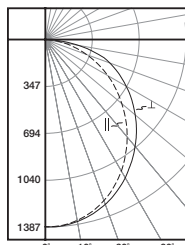
G	G	G	Ceiling Type	Trim Type
Grid/Lay-in Standard	Concealed T	Slot Grid	Exposed Grid	Standard
			Concealed T	Standard
			Slot Grid	Standard
			Flange	*

LINEAR DISCONNECT

Safe and convenient means of disconnecting power



PHOTOMETRICS



24CZ-LD5-40-UNV-L835-CD1-U
 Electronic Driver
 Linear LED 3500K
 Spacing criterion:
 (II) 1.2 x mounting
 height, (⊥) 1.26 x
 mounting height
 Lumens: 3964
 Input Watts: 29W
 Efficacy: 136.7 lm/W
 Test Report:
 24CZ-LD5-40-UNV-
 L835-CD1-U.IES

Candlepower			
Angle	Along II	45°	Across ⊥
0	1385	1385	1385
5	1379	1375	1383
10	1355	1354	1364
15	1316	1322	1334
20	1261	1273	1292
25	1193	1213	1237
30	1115	1144	1174
35	1024	1064	1101
40	930	978	1023
45	830	889	943
50	726	797	857
55	623	704	770
60	519	608	679
65	415	512	590
70	309	417	497
75	211	326	375
80	116	219	234
85	45	87	81
90	0	0	0

Coefficients of Utilization

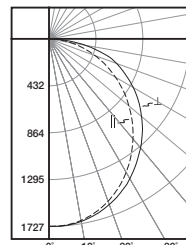
rc rw RCR	Effective floor cavity reflectance																								
	80%				70%				50%				30%				10%				0%				
	70	50	30	10	70	50	30	10	50	30	10	50	30	10	50	30	10	50	30	10	50	30	10	50	30
0	119	119	119	119	116	116	116	116	111	111	111	111	106	106	106	102	102	102	100	100	100	100	100	100	100
1	108	103	99	95	106	101	97	93	97	93	90	93	90	88	89	87	85	83	83	83	83	83	83	83	83
2	98	90	83	77	96	88	81	76	84	79	74	81	76	72	78	74	71	68	68	68	68	68	68	68	68
3	89	79	70	63	87	77	69	63	74	67	62	71	65	61	69	64	60	57	57	57	57	57	57	57	57
4	82	69	60	54	79	68	60	53	66	58	52	63	57	52	61	56	51	49	49	49	49	49	49	49	49
5	75	62	53	46	73	61	52	46	59	51	45	57	50	45	55	49	44	42	42	42	42	42	42	42	
6	69	56	47	40	67	55	46	40	53	45	40	51	44	39	50	44	39	37	37	37	37	37	37	37	37
7	64	51	42	35	63	50	41	35	48	41	35	47	40	35	45	39	35	33	33	33	33	33	33	33	33
8	60	46	38	32	58	45	37	32	44	37	31	43	36	31	42	36	31	29	29	29	29	29	29	29	29
9	56	42	34	28	55	42	34	28	41	33	28	40	33	28	39	32	28	26	26	26	26	26	26	26	26
10	52	39	31	26	51	39	31	26	38	31	26	37	30	26	36	30	25	24	24	24	24	24	24	24	24

Zonal Lumen Summary

Zone	Lumens	% Fixture
0-30	1065	26.9
0-40	1731	43.7
0-60	3043	76.8
0-90	3964	100.0
0-180	3964	100.0

Luminance Data

Angle in Deg	Average 0-Deg cd/sm	Average 45-Deg cd/sm	Average 90-Deg cd/sm
45	1798	1926	2043
55	1664	1880	2056
65	1504	1856	2138
75	1249	1929	2219
85	791	1529	1423



24CZ-LD5-50-UNV-L835-CD1-U
 Electronic Driver
 Linear LED 3500K
 Spacing criterion:
 (II) 1.2 x mounting
 height, (⊥) 1.26 x
 mounting height
 Lumens: 4988
 Input Watts: 40.6W
 Efficacy: 122.9 lm/W
 Test Report:
 24CZ-LD5-50-UNV-
 L835-CD1-U.IES

Candlepower			
Angle	Along II	45°	Across ⊥
0	1726	1726	1726
5	1718	1712	1722
10	1689	1686	1699
15	1639	1644	1661
20	1572	1586	1607
25	1490	1512	1541
30	1392	1426	1463
35	1285	1330	1374
40	1170	1225	1284
45	1048	1116	1186
50	921	1005	1079
55	793	891	974
60	664	774	860
65	536	654	740
70	404	533	626
75	278	412	489
80	156	272	294
85	61	112	101
90	0	0	0

Coefficients of Utilization

rc rw RCR	Effective floor cavity reflectance																								
	80%				70%				50%				30%				10%				0%				
	70	50	30	10	70	50	30	10	50	30	10	50	30	10	50	30	10	50	30	10	50	30	10	50	30
0	119	119	119	119	116	116	116	116	111	111	111	111	106	106	106	102	102	102	100	100	100	100	100	100	100
1	108	103	99	95	105	101	97	93	97	93	90	93	90	87	89	87	85	83	83	83	83	83	83	83	83
2	98	90	82	76	95	88	81	76	84	79	74	81	76	72	78	74	70	68	68	68	68	68	68	68	68
3	89	78	70	63	87	77	69	63	74	67	62	71	65	61	69	64	59	57	57	57	57	57	57	57	57
4	82	69	60	53	79	68	60	53	65	58	52	63	57	52	61	56	51	49	49	49	49	49	49	49	49
5	75	62	53	46	73	61	52	46	59	51	45	57	50	45	55	49	44	42	42	42	42	42	42	42	42
6	69	56	47	40	67	55	46	40	53	45	40	51	44	39	50	44	39	37	37	37	37	37	37	37	37
7	64	50	42	35	62	50	41	35	48	40	35	47	40	35	45	39	35	33	33	33	33	33	33	33	33
8	60	46	37	31	58	45	37	31	44	36	31	44	36	31	43	36	31	29	29	29	29	29	29	29	29
9	56	42	34	28	54	42	34	28	40	33	28	40	33	28	39	33	28	26	26	26	26	26	26	26	26
10	52	39	31	26	51	38	31	26	37	30	25	36	30	25	36	30	25	23	23	23	23	23	23	23	23

Zonal Lumen Summary

Zone	Lumens	% Fixture
0-30	1326	26.6
0-40	2159	43.3
0-60	3815	76.5
0-90	4988	100.0
0-180	4988	100.0

Luminance Data

Angle in Deg	Average 0-Deg cd/sm	Average 45-Deg cd/sm	Average 90-Deg cd/sm
45	2270	2417	2569
55	2118	2379	2601
65	1943	2370	2682
75	1645	2438	2775
85	1072	1968	1775

ENERGY AND PERFORMANCE DATA BY CATALOG NUMBER

Stock or MTO*	Catalog Logic (Ribbed Lens)	Delivered Lumens	Watts	Efficacy (lm/W)
MTO	24CZ-LD5-30-UNV-L830-CD1-U	2833	21.6	131
MTO	24CZ-LD5-30-UNV-L835-CD1-U	3010	21.6	139
MTO	24CZ-LD5-30-UNV-L840-CD1-U	3070	21.6	142
MTO	24CZ-LD5-30-UNV-L850-CD1-U	3321	21.6	154
MTO	24CZ-LD5-35-UNV-L830-CD1-U	3289	25.3	130
MTO	24CZ-LD5-35-UNV-L835-CD1-U	3494	25.3	138
MTO	24CZ-LD5-35-UNV-L840-CD1-U	3564	25.3	141
MTO	24CZ-LD5-35-UNV-L850-CD1-U	3855	25.3	152
MTO	24CZ-LD5-40-UNV-L830-CD1-U	3731	29.0	128
STOCK	24CZ-LD5-40-UNV-L835-CD1-U	3964	29.0	137
STOCK	24CZ-LD5-40-UNV-L840-CD1-U	4043	29.0	139
MTO	24CZ-LD5-40-UNV-L850-CD1-U	4374	29.0	151
MTO	24CZ-LD5-45-UNV-L830-CD1-U	4207	35.7	118
MTO	24CZ-LD5-45-UNV-L835-CD1-U	4469	35.7	125
MTO	24CZ-LD5-45-UNV-L840-CD1-U	4558	35.7	128
MTO	24CZ-LD5-45-UNV-L850-CD1-U	4931	35.7	138
MTO	24CZ-LD5-50-UNV-L830-CD1-U	4695	40.7	115
STOCK	24CZ-LD5-50-UNV-L835-CD1-U	4988	40.7	123
STOCK	24CZ-LD5-50-UNV-L840-CD1-U	5088	40.7	125
MTO	24CZ-LD5-50-UNV-L850-CD1-U	5503	40.7	135
MTO	24CZ-LD5-55-UNV-L830-CD1-U	5181	45.8	113
MTO	24CZ-LD5-55-UNV-L835-CD1-U	5504	45.8	120
MTO	24CZ-LD5-55-UNV-L840-CD1-U	5614	45.8	123
MTO	24CZ-LD5-55-UNV-L850-CD1-U	6073	45.8	133
MTO	24CZ-LD5-60-UNV-L830-CD1-U	5741	52.2	110
MTO	24CZ-LD5-60-UNV-L835-CD1-U	6099	52.2	117
MTO	24CZ-LD5-60-UNV-L840-CD1-U	6221	52.2	119
MTO	24CZ-LD5-60-UNV-L850-CD1-U	6729	52.2	129
MTO	24CZ-LD5-65-UNV-L830-CD1-U	6193	57.6	107
MTO	24CZ-LD5-65-UNV-L835-CD1-U	6579	57.6	114
MTO	24CZ-LD5-65-UNV-L840-CD1-U	6711	57.6	116
MTO	24CZ-LD5-65-UNV-L850-CD1-U	7259	57.6	126
MTO	24CZ-LD5-70-UNV-L830-CD1-U	6668	64.2	104
MTO	24CZ-LD5-70-UNV-L835-CD1-U	7084	64.2	110
MTO	24CZ-LD5-70-UNV-L840-CD1-U	7226	64.2	113
MTO	24CZ-LD5-70-UNV-L850-CD1-U	7816	64.2	122
MTO	24CZ-LD5-75-UNV-L830-CD1-U	7052	69.1	102
MTO	24CZ-LD5-75-UNV-L835-CD1-U	7491	69.1	108
MTO	24CZ-LD5-75-UNV-L840-CD1-U	7641	69.1	111
MTO	24CZ-LD5-75-UNV-L850-CD1-U	8265	69.1	120

*Made to order (MTO) requires a typical three week lead time.

Standard Efficacy Versions

Stock or MTO*	Catalog Logic (Ribbed Lens)	Delivered Lumens	Watts	Efficacy (lm/W)
MTO	24CZ-LD5-30SE-UNV-L830-CD1-U	2878	23.5	122
STOCK	24CZ-LD5-30SE-UNV-L835-CD1-U	3057	23.5	130
STOCK	24CZ-LD5-30SE-UNV-L840-CD1-U	3118	23.5	133
MTO	24CZ-LD5-30SE-UNV-L850-CD1-U	3373	23.5	144
MTO	24CZ-LD5-35SE-UNV-L830-CD1-U	3324	28.6	116
STOCK	24CZ-LD5-35SE-UNV-L835-CD1-U	3531	28.6	124
STOCK	24CZ-LD5-35SE-UNV-L840-CD1-U	3602	28.6	126
MTO	24CZ-LD5-35SE-UNV-L850-CD1-U	3896	28.6	136
MTO	24CZ-LD5-40SE-UNV-L830-CD1-U	3783	32.6	116
STOCK	24CZ-LD5-40SE-UNV-L835-CD1-U	4019	32.6	123
STOCK	24CZ-LD5-40SE-UNV-L840-CD1-U	4099	32.6	126
MTO	24CZ-LD5-40SE-UNV-L850-CD1-U	4434	32.6	136
MTO	24CZ-LD5-45SE-UNV-L830-CD1-U	4304	39.9	108
STOCK	24CZ-LD5-45SE-UNV-L835-CD1-U	4572	39.9	115
STOCK	24CZ-LD5-45SE-UNV-L840-CD1-U	4663	39.9	117
MTO	24CZ-LD5-45SE-UNV-L850-CD1-U	5044	39.9	126
MTO	24CZ-LD5-50SE-UNV-L830-CD1-U	4788	46.6	103
STOCK	24CZ-LD5-50SE-UNV-L835-CD1-U	5086	46.6	109
STOCK	24CZ-LD5-50SE-UNV-L840-CD1-U	5188	46.6	111
MTO	24CZ-LD5-50SE-UNV-L850-CD1-U	5612	46.6	121
MTO	24CZ-LD5-55SE-UNV-L830-CD1-U	5216	54.7	95
MTO	24CZ-LD5-55SE-UNV-L835-CD1-U	5541	54.7	101
MTO	24CZ-LD5-55SE-UNV-L840-CD1-U	5652	54.7	103
MTO	24CZ-LD5-55SE-UNV-L850-CD1-U	6114	54.7	112
MTO	24CZ-LD5-60SE-UNV-L830-CD1-U	5611	60.0	94
MTO	24CZ-LD5-60SE-UNV-L835-CD1-U	5961	60.0	99
MTO	24CZ-LD5-60SE-UNV-L840-CD1-U	6080	60.0	101
MTO	24CZ-LD5-60SE-UNV-L850-CD1-U	6577	60.0	110
MTO	24CZ-LD5-65SE-UNV-L830-CD1-U	6154	59.6	103
MTO	24CZ-LD5-65SE-UNV-L835-CD1-U	6537	59.6	110
MTO	24CZ-LD5-65SE-UNV-L840-CD1-U	6668	59.6	112
MTO	24CZ-LD5-65SE-UNV-L850-CD1-U	7213	59.6	121

*Made to order (MTO) requires a typical three week lead time.

ENERGY AND PERFORMANCE DATA BY CATALOG NUMBER

Stock or MTO*	Catalog Logic (Smooth Lens)	Delivered Lumens	Watts	Efficacy (lm/W)
MTO	24CZ-LD5-30-S-UNV-L830-CD1-U	2890	21.6	134
MTO	24CZ-LD5-30-S-UNV-L835-CD1-U	3070	21.6	142
MTO	24CZ-LD5-30-S-UNV-L840-CD1-U	3132	21.6	145
MTO	24CZ-LD5-30-S-UNV-L850-CD1-U	3387	21.6	157
MTO	24CZ-LD5-35-S-UNV-L830-CD1-U	3355	25.3	132
MTO	24CZ-LD5-35-S-UNV-L835-CD1-U	3564	25.3	141
MTO	24CZ-LD5-35-S-UNV-L840-CD1-U	3635	25.3	144
MTO	24CZ-LD5-35-S-UNV-L850-CD1-U	3932	25.3	155
MTO	24CZ-LD5-40-S-UNV-L830-CD1-U	3806	29.0	131
MTO	24CZ-LD5-40-S-UNV-L835-CD1-U	4043	29.0	139
MTO	24CZ-LD5-40-S-UNV-L840-CD1-U	4124	29.0	142
MTO	24CZ-LD5-40-S-UNV-L850-CD1-U	4461	29.0	154
MTO	24CZ-LD5-45-S-UNV-L830-CD1-U	4291	35.7	120
MTO	24CZ-LD5-45-S-UNV-L835-CD1-U	4558	35.7	128
MTO	24CZ-LD5-45-S-UNV-L840-CD1-U	4650	35.7	130
MTO	24CZ-LD5-45-S-UNV-L850-CD1-U	5029	35.7	141
MTO	24CZ-LD5-50-S-UNV-L830-CD1-U	4789	40.7	118
MTO	24CZ-LD5-50-S-UNV-L835-CD1-U	5088	40.7	125
MTO	24CZ-LD5-50-S-UNV-L840-CD1-U	5190	40.7	128
MTO	24CZ-LD5-50-S-UNV-L850-CD1-U	5614	40.7	138
MTO	24CZ-LD5-55-S-UNV-L830-CD1-U	5285	45.8	115
MTO	24CZ-LD5-55-S-UNV-L835-CD1-U	5614	45.8	123
MTO	24CZ-LD5-55-S-UNV-L840-CD1-U	5726	45.8	125
MTO	24CZ-LD5-55-S-UNV-L850-CD1-U	6194	45.8	135
MTO	24CZ-LD5-60-S-UNV-L830-CD1-U	5856	52.2	112
MTO	24CZ-LD5-60-S-UNV-L835-CD1-U	6221	52.2	119
MTO	24CZ-LD5-60-S-UNV-L840-CD1-U	6345	52.2	122
MTO	24CZ-LD5-60-S-UNV-L850-CD1-U	6864	52.2	132
MTO	24CZ-LD5-65-S-UNV-L830-CD1-U	6317	57.6	110
MTO	24CZ-LD5-65-S-UNV-L835-CD1-U	6711	57.6	116
MTO	24CZ-LD5-65-S-UNV-L840-CD1-U	6845	57.6	119
MTO	24CZ-LD5-65-S-UNV-L850-CD1-U	7404	57.6	128
MTO	24CZ-LD5-70-S-UNV-L830-CD1-U	6802	64.2	106
MTO	24CZ-LD5-70-S-UNV-L835-CD1-U	7226	64.2	113
MTO	24CZ-LD5-70-S-UNV-L840-CD1-U	7370	64.2	115
MTO	24CZ-LD5-70-S-UNV-L850-CD1-U	7972	64.2	124
MTO	24CZ-LD5-75-S-UNV-L830-CD1-U	7193	69.1	104
MTO	24CZ-LD5-75-S-UNV-L835-CD1-U	7641	69.1	111
MTO	24CZ-LD5-75-S-UNV-L840-CD1-U	7794	69.1	113
MTO	24CZ-LD5-75-S-UNV-L850-CD1-U	8430	69.1	122

*Made to order (MTO) requires a typical three week lead time.

Standard Efficacy Versions

Stock or MTO*	Catalog Logic (Smooth Lens)	Delivered Lumens	Watts	Efficacy (lm/W)
MTO	24CZ-LD5-30SE-S-UNV-L830-CD1-U	2935	23.5	125
MTO	24CZ-LD5-30SE-S-UNV-L835-CD1-U	3118	23.5	133
MTO	24CZ-LD5-30SE-S-UNV-L840-CD1-U	3181	23.5	135
MTO	24CZ-LD5-30SE-S-UNV-L850-CD1-U	3440	23.5	146
MTO	24CZ-LD5-35SE-S-UNV-L830-CD1-U	3390	28.6	119
MTO	24CZ-LD5-35SE-S-UNV-L835-CD1-U	3602	28.6	126
MTO	24CZ-LD5-35SE-S-UNV-L840-CD1-U	3674	28.6	129
MTO	24CZ-LD5-35SE-S-UNV-L850-CD1-U	3974	28.6	139
MTO	24CZ-LD5-40SE-S-UNV-L830-CD1-U	3859	32.6	119
MTO	24CZ-LD5-40SE-S-UNV-L835-CD1-U	4099	32.6	126
MTO	24CZ-LD5-40SE-S-UNV-L840-CD1-U	4181	32.6	128
MTO	24CZ-LD5-40SE-S-UNV-L850-CD1-U	4523	32.6	139
MTO	24CZ-LD5-45SE-S-UNV-L830-CD1-U	4390	39.9	110
MTO	24CZ-LD5-45SE-S-UNV-L835-CD1-U	4663	39.9	117
MTO	24CZ-LD5-45SE-S-UNV-L840-CD1-U	4757	39.9	119
MTO	24CZ-LD5-45SE-S-UNV-L850-CD1-U	5145	39.9	129
MTO	24CZ-LD5-50SE-S-UNV-L830-CD1-U	4883	46.6	105
MTO	24CZ-LD5-50SE-S-UNV-L835-CD1-U	5188	46.6	111
MTO	24CZ-LD5-50SE-S-UNV-L840-CD1-U	5291	46.6	114
MTO	24CZ-LD5-50SE-S-UNV-L850-CD1-U	5724	46.6	123
MTO	24CZ-LD5-55SE-S-UNV-L830-CD1-U	5320	54.7	97
MTO	24CZ-LD5-55SE-S-UNV-L835-CD1-U	5652	54.7	103
MTO	24CZ-LD5-55SE-S-UNV-L840-CD1-U	5765	54.7	105
MTO	24CZ-LD5-55SE-S-UNV-L850-CD1-U	6236	54.7	114
MTO	24CZ-LD5-60SE-S-UNV-L830-CD1-U	5724	60.0	95
MTO	24CZ-LD5-60SE-S-UNV-L835-CD1-U	6080	60.0	101
MTO	24CZ-LD5-60SE-S-UNV-L840-CD1-U	6202	60.0	103
MTO	24CZ-LD5-60SE-S-UNV-L850-CD1-U	6709	60.0	112
MTO	24CZ-LD5-65SE-S-UNV-L830-CD1-U	6277	59.6	105
MTO	24CZ-LD5-65SE-S-UNV-L835-CD1-U	6668	59.6	112
MTO	24CZ-LD5-65SE-S-UNV-L840-CD1-U	6801	59.6	114
MTO	24CZ-LD5-65SE-S-UNV-L850-CD1-U	7357	59.6	123

*Made to order (MTO) requires a typical three week lead time.

Ambient Temperature	TM-21 Lumen Maintenance (60,000 hours)	Theoretical L70 (Hours)
25°C	> 80%	> 186,000

Lumen Adjustment Factors 80->90 CRI	
3000K	0.88
3500K	0.861
4000K	0.865
5000K	0.87

Example of Lumen Adjustment Calculation

24CZ-LD5-40-UNV-L835-CD1-U
at 90CRI at 3500K

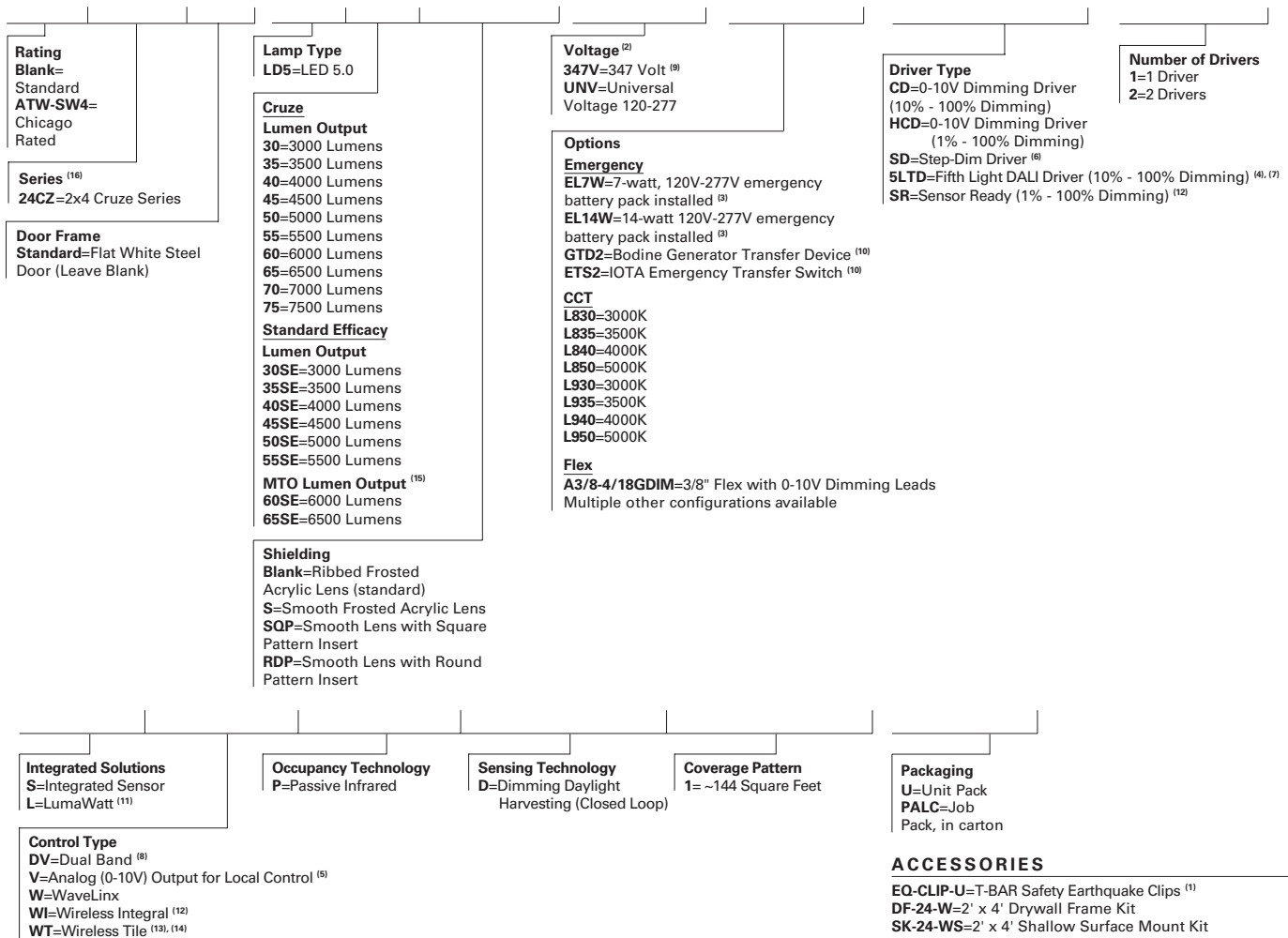
Lumen Adjustment Factor = 0.861

Total Light Output =
3,964 lm x 0.861 = 3,413 lm

Efficacy = $\frac{3,413 \text{ lm}}{29 \text{ W}}$ = 117.6 lm/W

ORDERING INFORMATION

SAMPLE NUMBER: 24CZ-LD5-45-UNV-L835-CD1-U



ACCESSORIES

- EQ-CLIP-U=T-BAR Safety Earthquake Clips
- DF-24-W=2' x 4' Drywall Frame Kit
- SK-24-WS=2' x 4' Shallow Surface Mount Kit
- SK-24-WT=2' x 4' Tall Surface Mount Kit
- DF10P-C=Decorator Dimmer, 0-10V
- SF10P-=Decorator Slide Dimmer, 0-10V
- ISHH-01=Programming Remote for Integrated Sensor
- ISHH-02=Personal Control Remote for Integrated Sensor

NOTES: (1)An EQ Grid Clip is recommended for all 9/16" ceiling systems. Four required per fixture. (2)Products also available in non-US voltages and frequencies for international markets. (3)With integral test switch/indicator/laser test. For approximate delivered lumens multiply the lumens per watt of the desired fixture by the wattage of the emergency battery pack (100 lm/W x 7=700 lumens). IES-format photometry for luminaire under emergency operation available. (4)Must be used in conjunction with a DALI control system. For a complete listing of Fifth Light Technology products and other solutions from Cooper Controls, visit www.eaton.com/lightingsystems. (5)Integral sensor works with CD and HCD drivers and is factory prewired to the driver for stand-alone control. (6)Step dim driver option is not available with 3000, 3500, 4000, 7000 and 7500 lumen packages and 3000SE, 3500SE, 6000SE and 6500SE versions. (7)Fifth Light (5LTD) driver option is not available with 3000, 3500 and 4000 lumen packages and 3000SE and 3500SE versions. (8)Provides blank band on opposite side from sensor band to provide symmetric appearance. (9)347V versions are not available with emergency options. 347V driver option requires two drivers with 7000 and 7500 lumen packages. SD, 5LTD, and SR drivers with 347V are available but not DLC qualified. (10)Used to transfer fixture to secondary power source for life-safety operation. When used with a dimming fixture, two devices are required to ensure control is disabled while operating under emergency power. (11)Must be used in conjunction with a LumaWatt Pro control system. For complete LumaWatt Pro wireless solutions, visit www.eaton.com/lumawattpro. (12)SR driver compatible with LWI option only. (13)LWT compatible with CD and HCD drivers only. (14)LWT sensor is external to luminaire, cable factory wired. (15)Made-to-order (MTO) requires a typical three week leadtime. (16)DesignLights Consortium® Qualified and classified for both DLC Standard and DLC Premium, refer to www.designlights.org for details.

Specifications & dimensions subject to change without notice. Consult your Eaton Representative for availability and ordering information.

SHIPPING DATA

Catalog No.	Wt.
24CZ-LD5-45	20.5 lbs.
24CZ-LD5-55	20.5 lbs.



Eaton
1121 Highway 74 South
Peachtree City, GA 30269
P: 770-486-4800
www.eaton.com/lighting

Specifications and dimensions subject to change without notice.

INTEGRATED SENSOR

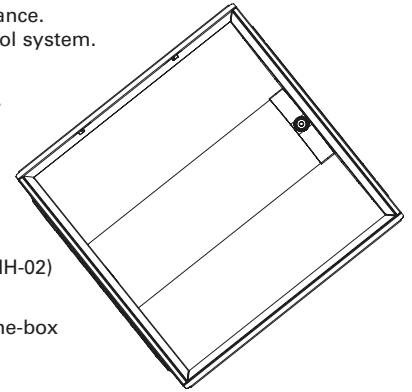
The Cruze with Integrated Sensor technology provides automatic energy savings without sacrificing performance. Traditionally, these types of energy savings required coordination between the luminaire and a lighting control system. The Cruze delivers superior lighting with integrated occupancy and daylighting controls.

Capture the benefits of traditional lighting controls, without complicated coverage planning or special wiring. Ideal for new construction or retrofit, the Cruze delivers automatic ON to an energy saving light level, while ensuring lighting is turned OFF when the space is unoccupied.

The integral daylight sensor reduces the need for special daylight zone planning. Each luminaire will automatically adjust the light level based on reflected light beneath the sensor in a closed loop method.

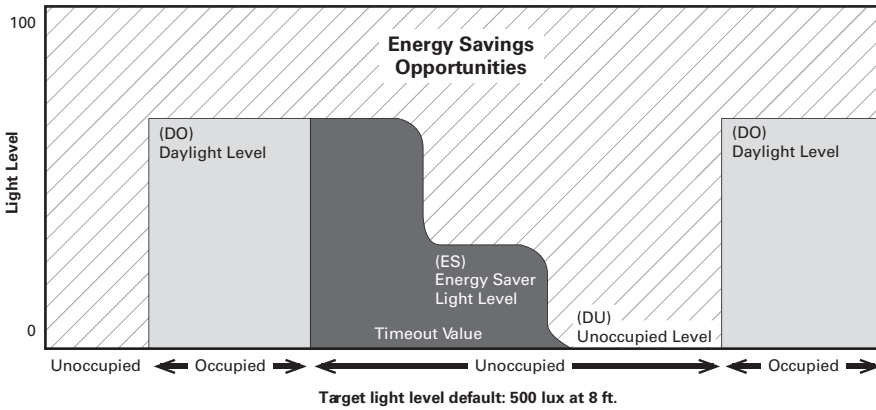
Occupied daylight light levels and unoccupied light levels can be adjusted using the integrated sensor programming remote (Catalog Number: ISHH-01). The integrated sensor personal remote (Catalog Number: ISHH-02) provides code compliant manual raise, lower, ON, OFF control.

The Cruze with Integrated Sensor is easy to install with no special wiring and ensures energy savings out-of-the-box with default control settings.

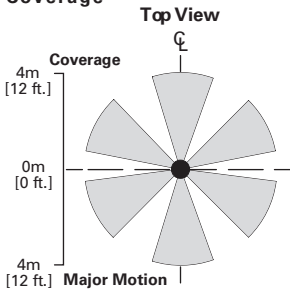


How it works:

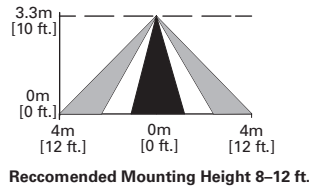
- As the user enters the space controlled by the integral sensor, the lighting turns ON to the default daylight level.
- Lighting will remain at that the daylight level until the space is unoccupied. This will start the occupancy timeout period (default 20 minutes).
- If the space remains unoccupied for half of the timeout period, the lighting will automatically reduce to the Energy Saver light level. This adjustable light level is typically half of the occupied daylight level.
- At the end of the timeout period the lighting will go to the unoccupied light level. This adjustable light level uses the OFF default setting.



Coverage



Side View



Optional Remote Controls



ISHH-01 Programming Remote



ISHH-02 Personal Control Remote

DESCRIPTION

6 inch LED recessed narrow, medium, or wide beam downlight designed for glare free even illumination. Featuring a two-stage diffused reflector system producing smooth distribution with excellent light control and low aperture brightness. Lumen packages range from 1000 to 7000 with color temperatures of 2400K, 2700K, 3000K, 3500K, 4000K, and 5000K. Available with dim-to-warm technology – similar to halogen at full power, the 3000K LED warms smoothly as dimmed to 1850K creating a rich warm glow within the space.

SPECIFICATION FEATURES

Lower Shielding Reflector

Painted die cast aluminum or spun aluminum lower reflector with a lensed upper optical chamber providing superior lumen output with minimal source brightness. Spun reflectors are offered in all Portfolio Alzak® finishes. Available with non-conductive polymer trim. Reflector is retained with two torsion springs holding the flange tight to the finished ceiling surface.

Plaster Frame / Collar

Die cast aluminum 1-1/2" deep collar accommodates ceiling materials up to 2". Universal mounting bracket accepts 1/2" EMT, C channel and bar hangers and adjusts 5" vertically from above and below the ceiling.

Junction Box

Listed for (8) #12 AWG (four in, four out) 90°C conductors and feed thru branch wiring. (4) 1/2" and (2) 3/4" trade size pry outs positioned to allow straight conduit runs. Lever connectors for simple push in wiring.

Thermal

Aluminum heat sink conducts heat away from the LED module for optimal performance and long life.

LED

Chip on board with a multitude of highly efficient white LED's, combined with a high reflectance upper reflector and convex transitional lens produce even distribution with no pixilation. Rated for 50,000 hours at 70% lumen maintenance. Auto resetting, thermally protected, LED's are turned off when safe operating temperatures are exceeded. Color variation within 3-step MacAdam ellipses. Quick disconnect allows for tool-less replacement of LED engine from below ceiling. Available in 80, 90 or 97 CRI. D2W™ – dim-to-warm shifts CCT from 3000K to 1850K as fixture dims mimicking halogen sources.

Driver

Standard 120-277V 0-10V dimming driver provides flicker free dimming from 100% to 1% (offered up to 4000 lumens). Optional 120V leading edge, <1% 0-10V, Fifth Light, DMX or Lutron® Ecosystem. Driver can be serviced from above or through the aperture.

Connected Lighting Systems

WaveLinx tilemount daylight sensor includes control module, sensor and cable allowing use with the comprehensive lighting system.

Catalog #		Type
Project		HA
Comments		Date
Prepared by		

LumaWatt Pro (powered by Enlighted) wireless tile mount sensor and relay accessory enables wireless control using a tile mount sensor accessory. Distributed low voltage power system combines power, lighting, and controls with ease of installation.

Code Compliance

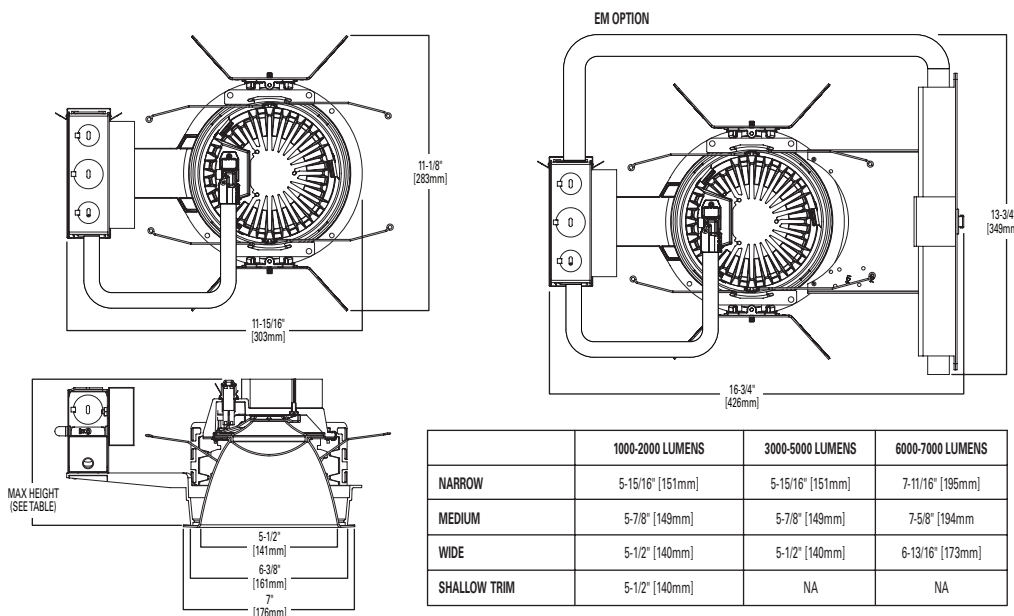
Thermally protected and cULus listed for wet locations with covered ceiling. IP66 rated when used with IP66 gasket kit accessory. Optional City of Chicago environmental air (CCEA) marking for plenum applications. EMI/RFI emissions per FCC 47CFR Part 18 Class B consumer limits. Non-IC rated - Insulation must be kept 3" from top and sides of housing. IC rated up to 1500 lumens. 5000 lumen and above are marked spacing and must follow spacing requirements. RoHS Compliant. Photometric testing completed in accordance with IES LM 79 and TM-30 standards. LED life testing completed in accordance with LM 80 standards.



**LD6B EU6B
6LBW 6LBM
6LBN**

1000 - 7000 lumens LED

Narrow, Medium, or Wide Beam
New Construction



D2W™



Refer to ENERGY STAR® Qualified Products List. Can be used to comply with California Title 24 High Efficacy requirements.

ORDERING INFORMATION

SAMPLE NUMBER: LD6B15D010EMBOD

Housing	Lumens ¹	Voltage	Driver	Options
LD6B =LED Downlight 6" Nominal Aperture LD6BCP =LED Downlight 6" Nominal Aperture, Chicago Plenum	10 =1000 lumens 15 =1500 lumens 20 =2000 lumens 30 =3000 lumens 40 =4000 lumens 50 =5000 lumens ¹⁰ 60 =6000 lumens ¹⁰ 70 =7000 lumens ¹⁰	Blank=120-277V	1000 - 4000 Lumen D010 =0-10V Dimming, 1% to 100%, 120V-277V D010TR =0-10V or Line Voltage Dimming, 5% to 100%, 120V-277V DE010 =0-10V Dimming, 0% to 100%, 120V-277V D5LT =Fifth Light® (DALI) Dimming, 0% to 100%, 120V-277V DMX =DMX Dimming, 0% to 100%, 120V-277V ¹⁴ DL2 =Lutron® Hi-Lume Forward Phase Dimming, 1% to 100%, 120V Only DL3 =Lutron® Hi-Lume 3 Wire Dimming, 1% to 100%, 120V-277V DLE =Lutron Ecosystem dimming 1% to 100%, 120V-277V 5000, 6000, and 7000 Lumen D010TE =0-10V 1% or Trailing Edge, 10% to 100%, 120V-277V (120V Only for Trailing Edge Dimming) 1000 - 3000 Lumen DLV =Low voltage dimming driver (1-100%) for use with DLVP system (3000 lumen and below) ^{3,15}	EMBOD =Bodine® Emergency Module with Remote Test Switch ³ EM7 =7W Emergency Module with Remote Test Switch ^{3,4} EM14 =14W Emergency Module with Remote Test Switch ^{3,4} IEMBOD =Bodine® Emergency Module with Integral Test Switch ³ IEM7 =7W Emergency Module with Integral Test Switch ^{3,4} IEM14 =14W Emergency Module with Integral Test Switch ^{3,4} EMV7 =7W Low Voltage Emergency Module with Remote Test Switch ^{3,4} EMV14 =14W Low Voltage Emergency Module with Remote Test Switch ^{3,4} IEMV7 =7W Low Voltage Emergency Module with Integral Test Switch ^{3,4} IEMV14 =14W Low Voltage Emergency Module with Integral Test Switch ^{3,4} SWPD1 =Factory installed WaveLinX tilemount daylight sensor (includes control module, sensor, cable, and tile mount) ¹⁵ LWTPD1 =Factory installed LumaWatt Pro wireless sensor kit ¹⁵

SAMPLE NUMBER: EU6B10208035

Power Module	Lumen Levels ¹	CRI	Color
EU6B =6" Universal LED Module	1020 =1000, 1500, 2000 lumens 3050 =3000, 4000, 5000 lumens 6070 =6000, 7000 lumens 1015IC =1000, 1500 lumen IC rated	80 =80 CRI Minimum 90 =90 CRI Minimum 97 =97 CRI Minimum	80 CRI 27 =2700K 30 =3000K 35 =3500K 40 =4000K 50 =5000K 90 CRI 24 =2400K 27 =2700K 30 =3000K 35 =3500K 40 =4000K 50 =5000K
Dim 2 Warm 109030D2W =1000 lumen, 90 CRI, Dim 2 Warm, IC rated 159030D2W =1500 lumen, 90 CRI, Dim 2 Warm, IC rated 209030D2W =2000 lumen, 90 CRI, Dim 2 Warm			

SAMPLE NUMBER: 6LBM1LIE

Trim	Distribution ⁵	Flange	Finish	Options
6LB =6" LED	N =Narrow (30° Beam), Spun Aluminum M =Medium (50° Beam), Spun Aluminum W =Wide (75° Beam), Spun Aluminum S =Shallow (75° Beam), Spun Aluminum ¹² PS =Plastic Shallow (75° Beam), Injection Molded white ^{11, 12} CS =Cast Shallow (75° Beam), Die Cast Aluminum ¹² BA =Baffle (50° Beam), Spun Aluminum ⁷	0 =White Polymer Trim Ring 1 =Self-flanged ¹³ 2 =White Painted Self-flanged	LI =Specular Clear ⁹ H =Semi-Specular Clear ⁹ WMH =Warm Haze ⁹ WH =Wheat ⁹ GPH =Graphite Haze ⁹ B =Specular Black ⁹ MW =Matte White MB =Matte Black ⁹ MMS =Matte Metallic Silver ⁸	E =Integral Emergency Test Switch Hole ⁵

Accessories

HSA6=Slope Adapter for 6" Aperture Housings, Specify Slope
TRM6=Metal Trim Ring, Specify Color²
PRR6=Rimless Trim Ring for Flush Mount²
LGSKT6IP66=IP66 Gasket Kit
DT6=Deco Trim²
Bar Hangers
HB26=C-channel Bar Hanger, 26" Long, Pair
HB50=C-channel Bar Hanger, 50" Long, Pair
RMB22=Wood Joist Bar Hanger, 22" Long, Pair
Transformers
H347=347 to 120V Step Down Transformer, 75VA
H347200=347 to 120V Step Down Transformer, 200VA
Connected Lighting Systems
PORLWTPD1=LumaWatt Pro wireless sensor kit (0-10V only) field installed¹⁵
TMSWPD1=WaveLinX tilemount daylight sensor (includes control module, sensor, cable and tile mount) field installed¹⁵

Notes:

- Nominal Lumens will vary depending on selected color, driver and reflector finish.
- Order trim with polymer trim ring (Consult specification sheet for color ordering information and options).
- Not available with Chicago Plenum.
- ULus listed only
- Beam angles are nominal with LI finish trims.
- Only available with Narrow and Medium Spun Aluminum trims. Required for use with all IEMBOD, IEM7, and IEM14 housings. Requires above ceiling access with wide beam trim.
- Only available with Matte White and Matte Black Finishes.
- Available only on CS distributions.
- Not available on PS, CS or BA distributions.
- Product is marked spacing and must be installed with the following minimum spacing.
 - Center to center of adjacent luminaires: 36"
 - Center of luminaire to side of building member: 18"
 - Minimum overhead: 1/2"
 - Not available with CS or PS trims
- PS available in self-flanged MW finish only.
- Offered up to 2000 lumens
- Flange is the same finish as the reflector
- DMX fixtures default to full on upon loss of DMX signal.
- Refer to system specifications for additional information, features, and benefits. Order either factory installed option or accessory. Use with 0-10V driver.

ENERGY

ENERGY DATA
Sound Rating: Class A standards
(Values at non-dimming line voltage)
Minimum Starting Temperature: -30°C (-22°F)
EMI/RFI: FCC Title 47 CFR, Part 15, Class B (Consumer)
Input Voltage: UNV (120V - 277V)
Power Factor: >0.90 (at nominal input 120-277 VAC & 100% of Rated Output Power)
Input Frequency: 50/60Hz

1000 Lumen D010		1500 Lumen D010	
Input Power: 11W	THD: <14%	Input Power: 15.5W	THD: <13%
120V Input Current: 0.09A	277V Input Current: 0.04A	120V Input Current: 0.13A	277V Input Current: 0.06A
2000 Lumen D010		3000 Lumen D010	
Input Power: 21.2W	THD: <9%	Input Power: 27.6W	THD: <10%
120V Input Current: 0.18A	277V Input Current: 0.08A	120V Input Current: 0.23A	277V Input Current: 0.10A
4000 Lumen D010		5000 Lumen D010TE	
Input Power: 41.6W	THD: <13%	Input Power: 57.9W	THD: <14%
120V Input Current: 0.35A	277V Input Current: 0.15A	120V Input Current: 0.49A	277V Input Current: 0.22A
6000 Lumen D010TE		7000 Lumen D010TE	
Input Power: 59.7W	THD: <14%	Input Power: 75.8W	THD: <13%
120V Input Current: 0.50A	277V Input Current: 0.22A	120V Input Current: 0.64A	277V Input Current: 0.29A

Lumens	120V		277V	
	Inrush (A)	Duration (ms)	Inrush (A)	Duration (ms)
1000 Lumen D010	1.02	0.041	2.18	0.021
1500 Lumen D010	1.02	0.042	2.24	0.064
2000 Lumen D010	1.02	0.077	2.43	0.027
3000 Lumen D010	1.15	0.067	3.26	0.027
4000 Lumen D010	1.2	0.088	3.9	0.03
5000 Lumen D010TE	5.1	0.132	10.2	0.153
6000 Lumen D010TE	5.4	0.123	10.8	0.154
7000 Lumen D010TE	4.9	0.13	9.8	0.156

PHOTOMETRY

NARROW (30° BEAM)		CANDLEPOWER DISTRIBUTION		CONE OF LIGHT		CANDELA TABLE		ZONAL LUMEN SUMMARY			LUMINANCE																										
Test Number	P201217					Degrees Vertical	Candela	Zone	Lumens	% Fixture	Average Candela Degrees	Average 0° Luminance																									
Housing	LD6B15D010					0	2709	0-30	960	80.4	45	677																									
Module	EU6B10208035					5	2526	0-40	1149	96.2	55	76																									
Trim	6LBN1LI					15	1468	0-60	1193	99.9	65	26																									
Lumens	1195					25	708	0-90	1195	100	75	0																									
Efficacy	83.6 Lm/W	35	299	90-180	0	0	85	0																													
SC	0.53	45	44	0-180	1195	100																															
		<table border="1"> <thead> <tr> <th>D</th> <th>FC</th> <th>L</th> <th>W</th> </tr> </thead> <tbody> <tr> <td>5.5'</td> <td>90</td> <td>2.8</td> <td>2.8</td> </tr> <tr> <td>7'</td> <td>55</td> <td>3.6</td> <td>3.6</td> </tr> <tr> <td>8'</td> <td>42</td> <td>4.2</td> <td>4.2</td> </tr> <tr> <td>9'</td> <td>33</td> <td>4.6</td> <td>4.6</td> </tr> <tr> <td>10'</td> <td>27</td> <td>5.2</td> <td>5.2</td> </tr> <tr> <td>12'</td> <td>19</td> <td>6.2</td> <td>6.2</td> </tr> </tbody> </table>		D	FC	L	W	5.5'	90	2.8	2.8	7'	55	3.6	3.6	8'	42	4.2	4.2	9'	33	4.6	4.6	10'	27	5.2	5.2	12'	19	6.2	6.2						
		D	FC	L	W																																
		5.5'	90	2.8	2.8																																
		7'	55	3.6	3.6																																
		8'	42	4.2	4.2																																
9'	33	4.6	4.6																																		
10'	27	5.2	5.2																																		
12'	19	6.2	6.2																																		

MEDIUM (50° BEAM)		CANDLEPOWER DISTRIBUTION		CONE OF LIGHT		CANDELA TABLE		ZONAL LUMEN SUMMARY			LUMINANCE																										
Test Number	P201215					Degrees Vertical	Candela	Zone	Lumens	% Fixture	Average Candela Degrees	Average 0° Luminance																									
Housing	LD6B15D010					0	1683	0-30	990	73.6	45	1159																									
Module	EU6B10208035					5	1661	0-40	1265	94	55	130																									
Trim	6LBM1LI					15	1386	0-60	1341	99.7	65	87																									
Lumens	1345					25	993	0-90	1345	100	75	71																									
Efficacy	94.1 Lm/W	35	430	90-180	0	0	85	0																													
SC	0.85	45	76	0-180	1345	100																															
		<table border="1"> <thead> <tr> <th>D</th> <th>FC</th> <th>L</th> <th>W</th> </tr> </thead> <tbody> <tr> <td>5.5'</td> <td>56</td> <td>4.6</td> <td>4.6</td> </tr> <tr> <td>7'</td> <td>34</td> <td>5.8</td> <td>5.8</td> </tr> <tr> <td>8'</td> <td>26</td> <td>6.6</td> <td>6.6</td> </tr> <tr> <td>9'</td> <td>21</td> <td>7.6</td> <td>7.6</td> </tr> <tr> <td>10'</td> <td>17</td> <td>8.4</td> <td>8.4</td> </tr> <tr> <td>12'</td> <td>12</td> <td>10</td> <td>10</td> </tr> </tbody> </table>		D	FC	L	W	5.5'	56	4.6	4.6	7'	34	5.8	5.8	8'	26	6.6	6.6	9'	21	7.6	7.6	10'	17	8.4	8.4	12'	12	10	10						
		D	FC	L	W																																
		5.5'	56	4.6	4.6																																
		7'	34	5.8	5.8																																
		8'	26	6.6	6.6																																
9'	21	7.6	7.6																																		
10'	17	8.4	8.4																																		
12'	12	10	10																																		

WIDE (75° BEAM)		CANDLEPOWER DISTRIBUTION		CONE OF LIGHT		CANDELA TABLE		ZONAL LUMEN SUMMARY			LUMINANCE																										
Test Number	P201213					Degrees Vertical	Candela	Zone	Lumens	% Fixture	Average Candela Degrees	Average 0° Luminance																									
Housing	LD6B15D010					0	963	0-30	785	51.7	45	4835																									
Module	EU6B10208035					5	963	0-40	1207	79.5	55	1055																									
Trim	6LBW1LI					15	976	0-60	1510	99.4	65	151																									
Lumens	1519					25	913	0-90	1519	100	75	84																									
Efficacy	106.2 Lm/W	35	687	90-180	0	0	85	0																													
SC	1.23	45	316	0-180	1519	100																															
		<table border="1"> <thead> <tr> <th>D</th> <th>FC</th> <th>L</th> <th>W</th> </tr> </thead> <tbody> <tr> <td>5.5'</td> <td>32</td> <td>6.6</td> <td>6.6</td> </tr> <tr> <td>7'</td> <td>20</td> <td>8.6</td> <td>8.6</td> </tr> <tr> <td>8'</td> <td>15</td> <td>9.8</td> <td>9.8</td> </tr> <tr> <td>9'</td> <td>12</td> <td>11</td> <td>11</td> </tr> <tr> <td>10'</td> <td>10</td> <td>12.2</td> <td>12.2</td> </tr> <tr> <td>12'</td> <td>7</td> <td>14.6</td> <td>14.6</td> </tr> </tbody> </table>		D	FC	L	W	5.5'	32	6.6	6.6	7'	20	8.6	8.6	8'	15	9.8	9.8	9'	12	11	11	10'	10	12.2	12.2	12'	7	14.6	14.6						
		D	FC	L	W																																
		5.5'	32	6.6	6.6																																
		7'	20	8.6	8.6																																
		8'	15	9.8	9.8																																
9'	12	11	11																																		
10'	10	12.2	12.2																																		
12'	7	14.6	14.6																																		

SHALLOW (75° BEAM)		CANDLEPOWER DISTRIBUTION		CONE OF LIGHT		CANDELA TABLE		ZONAL LUMEN SUMMARY			LUMINANCE																										
Test Number	P201212					Degrees Vertical	Candela	Zone	Lumens	% Fixture	Average Candela Degrees	Average 0° Luminance																									
Housing	LD6B15D010					0	710	0-30	529	34.2	45	36260																									
Module	EU6B10208035					5	704	0-40	843	54.5	55	29687																									
Trim	6LBCS1MMS					15	666	0-60	1377	89	65	20068																									
Lumens	1546					25	596	0-90	1546	100	75	8318																									
Efficacy	110.4 Lm/W	35	502	90-180	0	0	85	749																													
SC	1.16	45	393	0-180	1546	100																															
		<table border="1"> <thead> <tr> <th>D</th> <th>FC</th> <th>L</th> <th>W</th> </tr> </thead> <tbody> <tr> <td>5.5'</td> <td>24</td> <td>6.2</td> <td>6.2</td> </tr> <tr> <td>7'</td> <td>15</td> <td>8</td> <td>8</td> </tr> <tr> <td>8'</td> <td>11</td> <td>9.2</td> <td>9.2</td> </tr> <tr> <td>9'</td> <td>9</td> <td>10.4</td> <td>10.4</td> </tr> <tr> <td>10'</td> <td>7</td> <td>11.6</td> <td>11.6</td> </tr> <tr> <td>12'</td> <td>5</td> <td>13.8</td> <td>13.8</td> </tr> </tbody> </table>		D	FC	L	W	5.5'	24	6.2	6.2	7'	15	8	8	8'	11	9.2	9.2	9'	9	10.4	10.4	10'	7	11.6	11.6	12'	5	13.8	13.8						
		D	FC	L	W																																
		5.5'	24	6.2	6.2																																
		7'	15	8	8																																
		8'	11	9.2	9.2																																
9'	9	10.4	10.4																																		
10'	7	11.6	11.6																																		
12'	5	13.8	13.8																																		

PHOTOMETRY

NARROW (30° BEAM)		CANDLEPOWER DISTRIBUTION		CONE OF LIGHT		CANDELA TABLE		ZONAL LUMEN SUMMARY			LUMINANCE	
Test Number	P201218					Degrees Vertical	Candela	Zone	Lumens	% Fixture	Average Candela Degrees	Average 0° Luminance
Housing	LD6B40D010					0	7716	0-30	2735	80.4	45	1928
Module	EU6B30508035					5	7196	0-40	3274	96.2	55	215
Trim	6LBN1LI					15	4183	0-60	3399	99.9	65	74
Lumens	3404					25	2017	0-90	3404	100	75	0
Efficacy	81.4 Lm/W	35	853	90-180	0	0	85	0				
SC	0.53	45	126	0-180	3404	100						
		55	11									
		65	3									
		75	0									
		85	0									
		90	0									
				D	FC	L	W					
				5.5'	255	2.8	2.8					
				7'	158	3.6	3.6					
				8'	121	4.2	4.2					
				9'	95	4.6	4.6					
				10'	77	5.2	5.2					
				12'	54	6.2	6.2					

MEDIUM (50° BEAM)		CANDLEPOWER DISTRIBUTION		CONE OF LIGHT		CANDELA TABLE		ZONAL LUMEN SUMMARY			LUMINANCE	
Test Number	P201216					Degrees Vertical	Candela	Zone	Lumens	% Fixture	Average Candela Degrees	Average 0° Luminance
Housing	LD6B40D010					0	4794	0-30	2819	73.6	45	3303
Module	EU6B30508035					5	4731	0-40	3602	94	55	370
Trim	6LBM1LI					15	3946	0-60	3819	99.7	65	251
Lumens	3831					25	2829	0-90	3831	100	75	205
Efficacy	91.7 Lm/W	35	1226	90-180	0	0	85	0				
SC	0.85	45	216	0-180	3831	100						
		55	20									
		65	10									
		75	5									
		85	0									
		90	0									
				D	FC	L	W					
				5.5'	159	4.6	4.6					
				7'	98	5.8	5.8					
				8'	75	6.6	6.6					
				9'	59	7.6	7.6					
				10'	48	8.4	8.4					
				12'	33	10	10					

WIDE (75° BEAM)		CANDLEPOWER DISTRIBUTION		CONE OF LIGHT		CANDELA TABLE		ZONAL LUMEN SUMMARY			LUMINANCE	
Test Number	P201214					Degrees Vertical	Candela	Zone	Lumens	% Fixture	Average Candela Degrees	Average 0° Luminance
Housing	LD6B40D010					0	2742	0-30	2236	51.7	45	13769
Module	EU6B30508035					5	2742	0-40	3439	79.5	55	3006
Trim	6LBW1LI					15	2778	0-60	4301	99.4	65	430
Lumens	4326					25	2600	0-90	4326	100	75	234
Efficacy	103.5 Lm/W	35	1957	90-180	0	0	85	0				
SC	1.23	45	899	0-180	4326	100						
		55	159									
		65	17									
		75	6									
		85	0									
		90	0									
				D	FC	L	W					
				5.5'	91	6.6	6.6					
				7'	56	8.6	8.6					
				8'	43	9.8	9.8					
				9'	34	11	11					
				10'	27	12.2	12.2					
				12'	19	14.6	14.6					

SHALLOW (75° BEAM)		CANDLEPOWER DISTRIBUTION		CONE OF LIGHT		CANDELA TABLE		ZONAL LUMEN SUMMARY			LUMINANCE	
Test Number	P35144					Degrees Vertical	Candela	Zone	Lumens	% Fixture	Average Candela Degrees	Average 0° Luminance
Housing	LD6B40D010					0	2022	0-30	1506	34.2	45	17139
Module	EU6B30508035					5	2005	0-40	2399	54.5	55	14033
Trim	6LBCS1MMS					15	1897	0-60	3921	89	65	9486
Lumens	4403					25	1697	0-90	4403	100	75	3933
Efficacy	105.3 Lm/W	35	1430	90-180	0	0	85	348				
SC	1.16	45	1119	0-180	4403	100						
		55	743									
		65	370									
		75	94									
		85	3									
		90	0									
				D	FC	L	W					
				5.5'	67	6.2	6.2					
				7'	41	8	8					
				8'	32	9.2	9.2					
				9'	25	10.4	10.4					
				10'	20	11.6	11.6					
				12'	14	13.8	13.8					

NARROW LED STRIP

75

LED

CATALOG #:

F2/F4/F4E

TYPE:

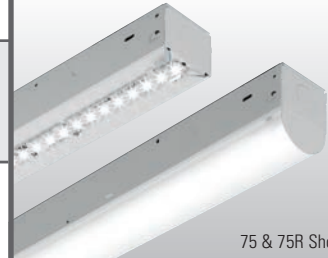
PROJECT:

NOTES:

EXAMPLE

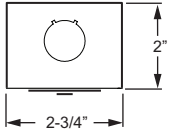
75 - 4 - L85/835 - OPTIONS - DIM - UNV

SERIES NOMINAL LENGTH LUMEN PACKAGE CRI & CCT OPTIONS/ACCESSORIES DRIVER VOLTAGE

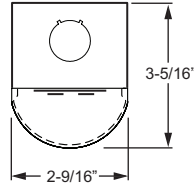


75 & 75R Shown

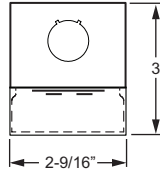
CROSS SECTION



75 Shown



75R Shown



75S Shown

ORDERING INFORMATION

SERIES

75 Narrow LED Strip
75R Round Lens LED Strip
75S Square Lens LED Strip

NOMINAL LENGTH

2 2' (Actual length 22-1/2")
4 4' (Actual length 44-5/8")
8 8' (Actual length 89-1/4")

LED PACKAGE

Example: L85/835				
LUMEN PACKAGE	NOMINAL LUMENS	MINIMUM CRI & CCT	WATTAGE	
2'				
L15	1,500	827 = 80CRI, 2700K 830 = 80CRI, 3000K 835 = 80CRI, 3500K 840 = 80CRI, 4000K 850 = 80CRI, 5000K	12	
L20	1,900		20	
L30	2,900		24	
L40 ¹	3,800		33	
4'				
L30	3,200		23	
L50	5,500		44	
L65	6,600		49	
L85 ¹	8,500	73		
8'				
L60	6,500	43		
L100	10,900	77		
L130	13,200	97		
L170 ¹	17,000	146		

Nominal lumen output based on 3500 CCT. Actual lumens may vary +/-5%. See specific photometric tests.

¹ Available with 75 only.

OPTIONS

Suspended fixtures require cord, see page 4.
C2_ Two circuit quick-connect wiring harness (See [Technical Info](#) for complete quick-connect offering.)
EM/10WLP Low-profile 10-watt emergency LED battery (4' and 8' only; must specify 120V or 277V)
EM/10W REMOTE Remote mount 10-watt emergency LED battery (2' only; must specify 120V or 277V)

ACCESSORIES (ordered separately)

See page 4 for [special reflectors](#), ordered separately.
[Aircraft cable accessories](#) available, see page 4.
WG-7511-LED 11-gauge white powder coat wireguard (available with 75 only)
WG-7514-LED 14-gauge white powder coat wireguard (available with 75 only)
315 1-1/2" ceiling spacer
VBV (2) Y-hangers
VBV-2 (2) Y-hangers and (2) 2' chains
RA-75 Row aligner (required when mounting with aircraft cables)

DRIVER

Additional dimming drivers available, see [Technical Info](#).
DRV Driver prewired for non-dimming applications
DIM 10% dimming driver prewired for 0-10V low voltage applications

VOLTAGE

120 120V
277 277V
UNV 120-277V
347 347V (not available with EM drivers)

FEATURES

- ▶ Small fixture profile allows inconspicuous placement in coves or confined spaces.
- ▶ Round and square lensed fixtures provide a clean look for architectural environments.
- ▶ Row applications produce continuous light with minimal interruption between fixtures.
- ▶ Diffuse acrylic lens on 75R and 75S enhances uniformity and minimizes glare.
- ▶ Variety of mounting accessories for surface and suspended applications.
- ▶ 3000K, 3500K, 4000K, or 5000K CCT.
- ▶ Special reflectors are available to provide precise light distribution (75 only).
- ▶ This fixture is proudly made in the USA.



SPECIFICATIONS

Housing – 22-gauge die-formed C.R.S.
Finish – 92% minimum average reflective white polyester powder coat bonded to phosphate-free, multi-stage pretreated metal. All parts painted after fabrication to facilitate installation, increase efficiency, and inhibit corrosion.

Electrical – High quality mid-power LED board. Rated for 50,000 hours at 70% lumen maintenance (L70). 25°C maximum ambient operating temperature.

Mounting – Surface (ceiling or wall) or suspended.

Labels – cETLus conforms to UL STD 1598. Certified to CAN/CSA STD C22.2 No. 250.0. Suitable for damp locations.

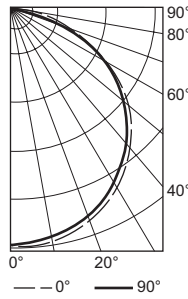
Warranty – 5-year limited warranty, see hew.com/warranty.

IMPORTANT:

Electrostatic sensitive unit. Observe precautions when handling.

PHOTOMETRY

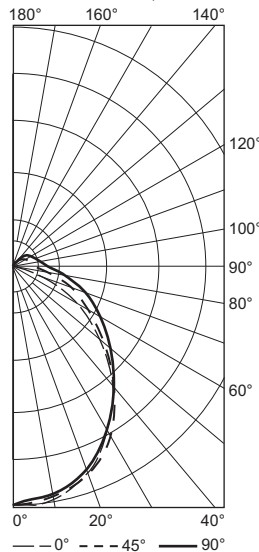
75-4-L85/840-DIM Report #: 17875.0; 01/03/14 | Total Luminaire Output: 8470 lumens; 71.6 Watts
 Efficacy: 118.3 lm/W | 83.6 CRI; 4053K CCT | IES Spacing Criteria: End: 1.3, Across: 1.3



CANDLEPOWER DISTRIBUTION	Vertical Angle	Horizontal Angle			Zonal Lumens
		0°	45°	90°	
0		2874	2874	2874	
5		2895	2865	2854	273.8
15		2815	2778	2770	788.6
25		2643	2604	2590	1208.3
35		2397	2348	2320	1480.4
45		2050	1991	1975	1546.3
55		1622	1568	1548	1412.3
65		1115	1061	1040	1067.9
75		577	539	527	574.1
85		103	115	100	118.4
90		9	14	9	

LUMEN SUMMARY	Zone	Lumens	% Fixture
	0 - 30	2271	26.8
	0 - 40	3751	44.3
	0 - 60	6710	79.2
	0 - 90	8470	100.0
	0 - 180	8470	100.0

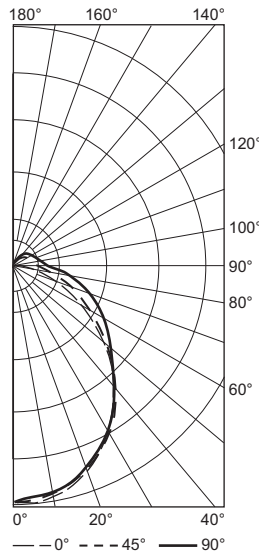
75R-4-L65/835 Report #: 19750.0; 03/02/17 | Total Luminaire Output: 6223 lumens; 52 Watts
 Efficacy: 120 lm/W | 84.5 CRI; 3515K CCT | IES Spacing Criteria: End: 1.2, Across: 1.3, Diagonal: 1.3



CANDLEPOWER DISTRIBUTION	Vertical Angle	Horizontal Angle			Zonal Lumens
		0°	45°	90°	
0		1993	1993	1993	
5		2015	1986	1962	188.7
15		1924	1919	1906	540.1
25		1733	1772	1786	814.1
35		1472	1569	1622	971.5
45		1138	1285	1401	984.4
55		771	996	1144	872.4
65		477	724	858	684.5
75		205	484	596	471.2
85		49	308	385	290.5
90		7	239	313	
95		1	191	253	172.9
105		0	115	168	104.3
115		0	72	114	63.6
125		0	41	78	36.1
135		0	22	49	18.2
145		0	10	27	7.5
155		0	5	12	2.4
165		0	0	3	0.3
175		0	0	0	0
180		0	0	0	

LUMEN SUMMARY	Zone	Lumens	% Fixture
	0 - 30	1543	24.8
	0 - 40	2515	40.4
	0 - 60	4371	70.2
	0 - 90	5817	93.5
	90 - 120	341	5.5
	90 - 150	403	6.5
	90 - 180	405	6.5
	0 - 180	6223	100.0

75S-4-L65/835 Report #: 19745.0; 03/02/17 | Total Luminaire Output: 6223 lumens; 52 Watts
 Efficacy: 120 lm/W | 84.6 CRI; 3518K CCT | IES Spacing Criteria: End: 1.2, Across: 1.2, Diagonal: 1.2



CANDLEPOWER DISTRIBUTION	Vertical Angle	Horizontal Angle			Zonal Lumens
		0°	45°	90°	
0		2100	2100	2100	
5		2118	2090	2061	198.4
15		2024	2007	1982	563.8
25		1807	1815	1785	832.2
35		1513	1545	1510	957.9
45		1165	1194	1217	929.1
55		809	892	992	807.4
65		475	645	785	634.7
75		207	416	572	432.3
85		36	248	377	254.8
90		0	189	299	
95		0	177	264	171.5
105		0	154	223	142.0
115		0	131	197	114.8
125		0	106	166	84.6
135		0	74	127	54.8
145		0	45	86	29.1
155		0	28	48	12.2
165		0	13	24	3.4
175		0	0	0	0.2
180		0	0	0	

LUMEN SUMMARY	Zone	Lumens	% Fixture
	0 - 30	1594	25.6
	0 - 40	2552	41.0
	0 - 60	4289	68.9
	0 - 90	5611	90.2
	90 - 120	428	6.9
	90 - 150	597	9.6
	90 - 180	612	9.8
	0 - 180	6223	100.0

FIXTURE PERFORMANCE DATA

LED PACKAGE	WATTAGE	75 (no lens)		75R & 75S	
		DELIVERED LUMENS	EFFICACY (lm/W)	DELIVERED LUMENS	EFFICACY (lm/W)
2'					
L15	12	1457	121	1370	114
L20	15	1927	128	1812	121
L30	23	2872	125	2700	117
L40	34	3830	113	-	-
4'					
L30	22	3162	149	2973	135
L50	42	5463	130	5135	122
L65	52	6620	127	6223	120
L85	73	8521	117	-	-
8'					
L60	44	6456	147	6069	138
L100	81	10927	135	10272	127
L130	103	13240	129	12446	119
L170	145	17041	118	-	-

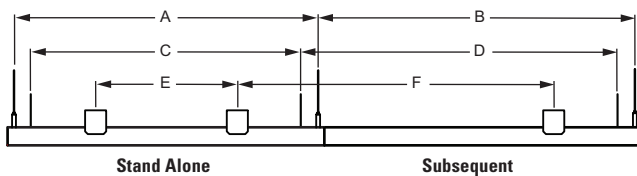
- Photometrics tested in accordance with IESNA LM-79. Results shown are based on 25°C ambient temperature.
- Wattage shown is average for 120V through 277V input.
- Results based on 3500K, 80 CRI, actual lumens may vary +/-5%
- Use multiplier table to calculate additional options.

MULTIPLIER TABLE

COLOR TEMPERATURE	
CCT/CRI	CONVERSION FACTOR
2700K/80CRI	0.97
3000K/80CRI	0.99
3500K/80CRI	1.00
4000K/80CRI	1.03
5000K/80CRI	1.06

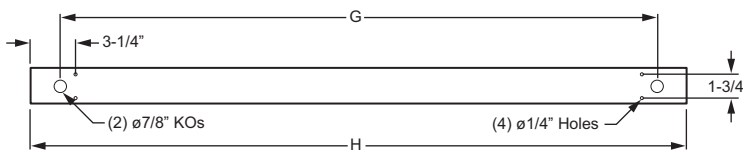
FIXTURE DETAILS

MOUNTING INFORMATION



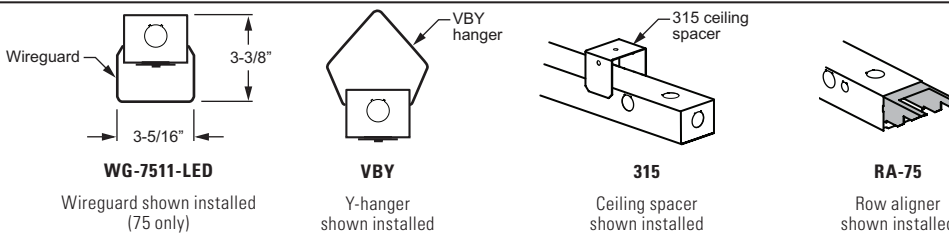
	MOUNTING LENGTH					
	AIRCRAFT CABLE		VBY HANGER		315 SPACER	
	A	B	C	D	E	F
2'	21-1/2"	22-1/2"	19"	22-1/2"	10"	22-1/2"
4'	43-5/8"	44-5/8"	41-1/4"	44-5/8"	32"	44-5/8"
8'	88-3/16"	89-1/4"	85"	89-1/4"	77"	89-1/4"

BACK VIEW



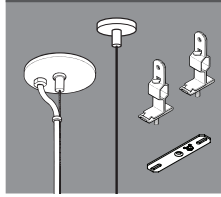
	7/8" KOs (G)	ACTUAL FIXTURE LENGTH (H)
2'	18-3/8"	22-1/2"
4'	40-1/2"	44-5/8"
8'	85-1/8"	89-1/4"

ACCESSORIES DETAILS



AIRCRAFT CABLES (requires RA75 row aligner)

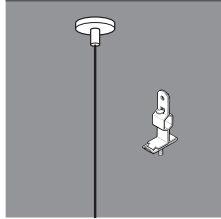
FEEDER FIXTURE – ø1/16" AIRCRAFT CABLE



EXAMPLE: ACF/D48		
MOUNTING	TYPE	LENGTH
ACF/ = Aircraft	D = 1' grid & hardpan	24 = 24"
	N = 9/16" grid	48 = 48"
	S = Slot grid	96 = 96"

Fixtures are provided with adjustable length aircraft cables and mounting hardware, must specify.

JOINER FIXTURE – ø1/16" AIRCRAFT CABLE



EXAMPLE: ACJ/D48		
MOUNTING	TYPE	LENGTH
ACJ/ = Aircraft	D = 1' grid & hardpan	24 = 24"
	N = 9/16" grid	48 = 48"
	S = Slot grid	96 = 96"

Fixtures are provided with adjustable length aircraft cables and mounting hardware, must specify.

NOTE: Electrical supply is brought into the feeder (or stand-alone) fixture, either as part of a row or as an individual mount unit. Joiner fixtures complete the row.

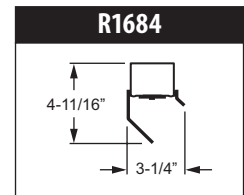
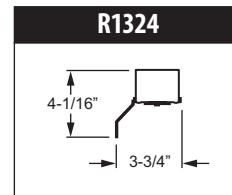
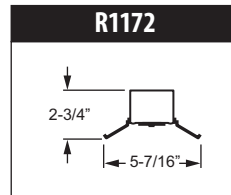
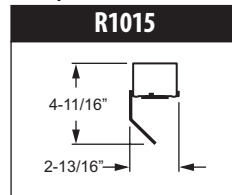
CORD FOR SUSPENDED PRODUCT

Suspended fixtures require cord. Please specify cord type using ordering example below.

EXAMPLE: S2438/W				
CORD TYPE	LENGTH	# OF CONDUCTORS	WIRE SIZE	COLOR
S = Straight	24 = 24"	3 = 3	8 = 18-guage	/B = Black /W = White
	48 = 48"	4 = 4		
	96 = 96"	5 = 5		

SPECIAL REFLECTORS (ordered separately, only available with 75)

Example: R1172-4-75LED REFL



DESCRIPTION

The patented Lumark Crosstour™ LED Wall Pack Series of luminaires provides an architectural style with super bright, energy efficient LEDs. The low-profile, rugged die-cast aluminum construction, universal back box, stainless steel hardware along with a sealed and gasketed optical compartment make the Crosstour impervious to contaminants. The Crosstour wall luminaire is ideal for wall/surface, inverted mount for façade/canopy illumination, post/bollard, site lighting, floodlight and low level pathway illumination including stairs. Typical applications include building entrances, multi-use facilities, apartment buildings, institutions, schools, stairways and loading docks test.

SPECIFICATION FEATURES

Construction

Slim, low-profile LED design with rugged one-piece, die-cast aluminum hinged removable door and back box. Matching housing styles incorporate both a small and medium design. The small housing is available in 12W, 18W and 26W. The medium housing is available in the 38W model. Patented secure lock hinge feature allows for safe and easy tool-less electrical connections with the supplied push-in connectors. Back box includes three half-inch, NPT threaded conduit entry points. The universal back box supports both the small and medium forms and mounts to standard 3-1/2" to 4" round and octagonal, 4" square, single gang and masonry junction boxes. Key hole gasket allows for adaptation to junction box or wall. External fin design extracts heat from the fixture surface. One-piece silicone gasket seals door and back box. Minimum 5" wide pole for site lighting application. Not recommended for car wash applications.

Optical

Silicone sealed optical LED chamber incorporates a custom engineered mirrored anodized reflector providing high-efficiency illumination. Optical assembly includes impact-resistant tempered glass and meets IESNA requirements for full cutoff compliance. Available in seven lumen packages; 5000K, 4000K and 3000K CCT.

Electrical

LED driver is mounted to the die-cast housing for optimal heat sinking. LED thermal management system incorporates both conduction and natural convection to transfer heat rapidly away from the LED source. 12W, 18W, 26W and 38W series operate in -40°C to 40°C [-40°F to 104°F]. High ambient 50°C models available. Crosstour luminaires maintain greater than 89% of initial light output after 72,000 hours of operation. Three half-inch NPT threaded conduit entry points allow for thru-branch wiring. Back box is an authorized

Catalog #		Type	
Project		RD	
Comments		Date	
Prepared by			

electrical wiring compartment.

Integral LED electronic driver incorporates surge protection. 120-277V 50/60Hz or 347V 60Hz models.

Finish

Crosstour is protected with a Super durable TGIC carbon bronze or summit white polyester powder coat paint. Super durable TGIC powder coat paint finishes withstand extreme climate conditions while providing optimal color and gloss retention of the installed life.

Warranty

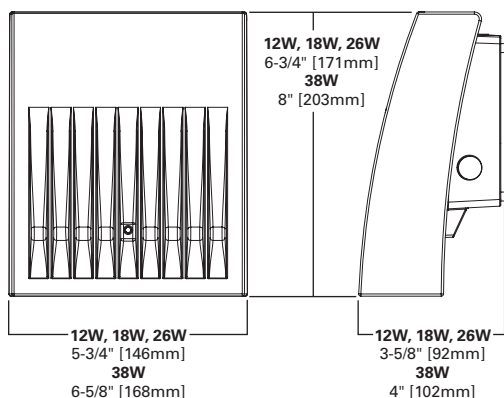
Five-year warranty.



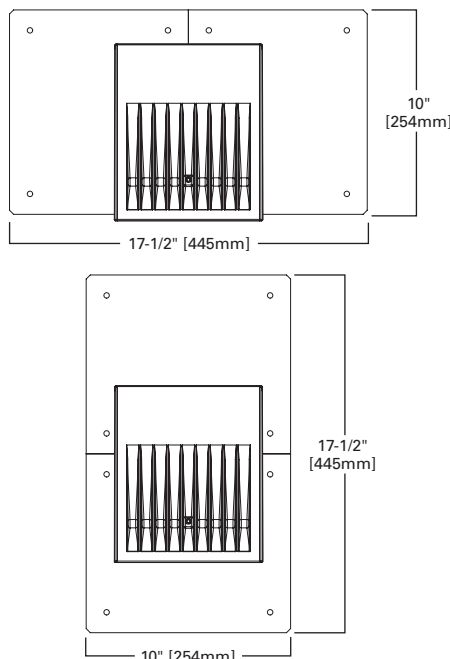
XTOR CROSSTOUR LED

APPLICATIONS:
WALL / SURFACE
POST / BOLLARD
LOW LEVEL
FLOODLIGHT
INVERTED
SITE LIGHTING

DIMENSIONS



ESCUTCHEON PLATES



CERTIFICATION DATA

UL/cUL Wet Location Listed
LM79 / LM80 Compliant
ROHS Compliant
ADA Compliant
NOM Compliant Models
IP66 Ingressed Protection Rated
Title 24 Compliant
DesignLights Consortium® Qualified*

TECHNICAL DATA

40°C Maximum Ambient Temperature
External Supply Wiring 90°C Minimum

EPA

Effective Projected Area (Sq. Ft.):
XTOR1B, XTOR2B, XTOR3B=0.34
XTOR4B=0.45

SHIPPING DATA:

Approximate Net Weight:
3.7 – 5.25 lbs. [1.7 – 2.4 kgs.]

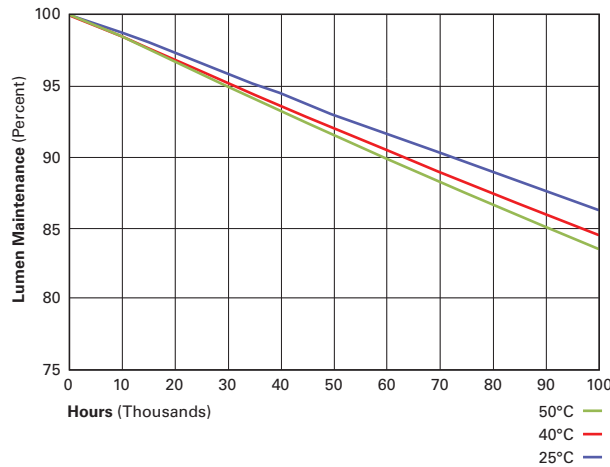
POWER AND LUMENS BY FIXTURE MODEL

LED Information	XTOR1B	XTOR1B-W	XTOR1B-Y	XTOR2B	XTOR2B-W	XTOR2B-Y	XTOR3B	XTOR3B-W	XTOR3B-Y	XTOR4B	XTOR4B-W	XTOR4B-Y
Delivered Lumens (Wall Mount)	1,418	1,396	1,327	2,135	2,103	1,997	2,751	2,710	2,575	4,269	4,205	3,995
Delivered Lumens (With Flood Accessory Kit) ¹	1,005	990	940	1,495	1,472	1,399	2,099	2,068	1,965	3,168	3,121	2,965
B.U.G. Rating ²	B1-U0-G0	B1-U0-G0	B1-U0-G0	B1-U0-G0	B1-U0-G0	B1-U0-G0	B1-U0-G0	B1-U0-G0	B1-U0-G0	B2-U0-G0	B2-U0-G0	B2-U0-G0
CCT (Kelvin)	5,000	4,000	3,000	5,000	4,000	3,000	5,000	4,000	3,000	5,000	4,000	3,000
CRI (Color Rendering Index)	70	70	70	70	70	70	70	70	70	70	70	70
Power Consumption (Watts)	12W	12W	12W	18W	18W	18W	26W	26W	26W	38W	38W	38W

NOTES: 1 Includes shield and visor. 2 B.U.G. Rating does not apply to floodlighting.

LUMEN MAINTENANCE

Ambient Temperature	TM-21 Lumen Maintenance (72,000 Hours)	Theoretical L70 (Hours)
XTOR1B Model		
25°C	> 90%	255,000
40°C	> 89%	234,000
50°C	> 88%	215,000
XTOR2B Model		
25°C	> 89%	240,000
40°C	> 88%	212,000
50°C	> 87%	196,000
XTOR3B Model		
25°C	> 89%	240,000
40°C	> 88%	212,000
50°C	> 87%	196,000
XTOR4B Model		
25°C	> 89%	222,000
40°C	> 87%	198,000
50°C	> 87%	184,000



CURRENT DRAW

Voltage	Model Series			
	XTOR1B	XTOR2B	XTOR3B	XTOR4B
120V	0.103A	0.15A	0.22A	0.34A
208V	0.060A	0.09A	0.13A	0.17A
240V	0.053A	0.08A	0.11A	0.17A
277V	0.048A	0.07A	0.10A	0.15A
347V	0.039A	0.06A	0.082A	0.12A

ORDERING INFORMATION

Sample Number: XTOR2B-W-WT-PC1

Series ¹	LED Kelvin Color	Housing Color	Options (Add as Suffix)	Accessories (Order Separately)
XTOR1B =Small Door, 12W XTOR2B =Small Door, 18W XTOR3B =Small Door, 26W XTOR4B =Medium Door, 38W	[Blank] =Bright White (Standard), 5000K W =Neutral White, 4000K Y =Warm White, 3000K	[Blank] =Carbon Bronze (Standard) WT =Summit White BK =Black BZ =Bronze AP =Grey GM =Graphite Metallic DP =Dark Platinum	PC1 =Photocontrol 120V ² PC2 =Photocontrol 208-277V ^{2,3} 347V =347V ⁴ HA =50°C High Ambient ⁴	WG/XTOR =Wire Guard ⁵ XTORFLD-KNC =Knuckle Floodlight Kit ⁶ XTORFLD-TRN =Trunnion Floodlight Kit ⁶ XTORFLD-KNC-WT =Knuckle Floodlight Kit, Summit White ⁶ XTORFLD-TRN-WT =Trunnion Floodlight Kit, Summit White ⁶ EWP/XTOR =Escutcheon Wall Plate, Carbon Bronze EWP/XTOR-WT =Escutcheon Wall Plate, Summit White

NOTES:

- DesignLights Consortium® Qualified and classified for both DLC Standard and DLC Premium, refer to www.designlights.org for details.
- Photocontrols are factory installed.
- Order PC2 for 347V models.
- Thru-branch wiring not available with HA option or with 347V. XTOR3B not available with HA and 347V or 120V combination.
- Wire guard for wall/surface mount. Not for use with floodlight kit accessory.
- Floodlight kit accessory supplied with knuckle (KNC) or trunnion (TRN) base, small and large top visors and small and large impact shields.

STOCK ORDERING INFORMATION

12W Series	18W Series	26W Series	38W Series
XTOR1B =12W, 5000K, Carbon Bronze	XTOR2B =18W, 5000K, Carbon Bronze	XTOR3B =26W, 5000K, Carbon Bronze	XTOR4B =38W, 5000K, Carbon Bronze
XTOR1B-WT =12W, 5000K, Summit White	XTOR2B-W =18W, 4000K, Carbon Bronze	XTOR3B-W =26W, 4000K, Carbon Bronze	XTOR4B-W =38W, 4000K, Carbon Bronze
XTOR1B-PC1 =12W, 5000K, 120V PC, Carbon Bronze	XTOR2B-WT =18W, 5000K, Summit White	XTOR3B-WT =26W, 5000K, Summit White	XTOR4B-WT =38W, 5000K, Summit White
XTOR1B-W =12W, 4000K, Carbon Bronze	XTOR2B-PC1 =18W, 5000K, 120V PC, Carbon Bronze	XTOR3B-PC1 =26W, 5000K, 120V PC, Carbon Bronze	XTOR4B-PC1 =38W, 5000K, 120V PC, Carbon Bronze
XTOR1B-W-PC1 =12W, 4000K, 120V PC, Carbon Bronze	XTOR2B-W-PC1 =18W, 4000K, 120V PC, Carbon Bronze		XTOR4B-W-PC1 =38W, 4000K, 120V PC, Carbon Bronze

FEATURES & SPECIFICATIONS

INTENDED USE — Suitable for applications requiring attractive edge-lit exit signage, universal installation and low energy consumption.

CONSTRUCTION — Extruded brushed aluminum finish.

Clear acrylic panels- letters measure 6" high with 3/4" stroke, with 100 ft viewing distance rating, based upon UL 924 standard.

For single-face clear panels, EXIT is seen as a reversed image from the back.

OPTICS — LEDs mounted on printed circuit board. The typical life of the exit LED lamp is 10 years.

The LED operating frequency is 120Hz.

ELECTRICAL — Dual voltage input capacity (120/277V).

Battery: (EL Option) – Sealed, maintenance free nickel-cadmium battery delivers 90 minutes capacity to emergency lamps. Test switch provides manual activation of 30-second diagnostic testing for on-demand visual inspection.

Self-diagnostic testing (EL Option Only) for 30 seconds every 30 days and 90 minutes annually. Diagnostic evaluation of LED light source, AC to DC transfer, charging and battery condition.

INSTALLATION — EDG – Universal surface (top, end or back) mounting. Canopy provided.

EDGR – Recessed mounting. Bar hanger and brackets provided for both new or restricted ceiling access installation applications. Back wall mount (WM) option.

Universal directional indicators. Field selected and attached.

LISTINGS — UL damp location listed 32°-122°F (0°-50°C) standard. Meets UL924, NFPA 101 (current Life Safety Code), NEC and OSHA illumination standards.

WARRANTY — 5-year limited warranty. Complete warranty terms located at:

www.acuitybrands.com/CustomerResources/Terms_and_conditions.aspx

NOTE: Actual performance may differ as a result of end-user environment and application.

All values are design or typical values, measured under laboratory conditions at 25°C.

Specifications subject to change without notice.

Catalog Number	
Notes	
Type	X1/X2



EDG (surface mount)



EDGR (recessed mount)

LED Edge-Lit Exits

EDG EDGR

LED Lamps



Specifications

EDG (End Mount)	EDG (Top Mount)
Length: 13-5/8 (34.6)	Length: 13 (33.0)
Depth: 5-1/2(14.0)	Depth: 4-5/16 (11.0)
Height: 11-1/8 (28.3)	Height: 11-3/4 (29.8)
Shipping Weight : 4 lbs (1.8 kgs)	Shipping Weight : 4 lbs (1.8 kgs)
EDG (Back Mount)	EDGR
Length: 13 (33.0)	Length: 13 (33.0)
Depth: 3 (7.6)	Depth: 1-3/4 (4.4)
Height: 11-1/8 (28.3)	Height: 8 (20.3)
Shipping Weight : 4 lbs (1.8 kgs)	Shipping Weight : 6.8 lbs (3.1 kgs)
	Shipping Weight (WM option) : 8.1 lbs (3.7 kgs)

All dimensions are inches (centimeters) unless otherwise noted.

ORDERING INFORMATION

For shortest lead times, configure products using **bolded options**.

Example: EDG 1 R EL

Family	Housing color	Number of faces	Letter color	Operations	Options
EDG Surface mount LED edge-lit exit	(blank) Brushed aluminum	1 Single face	R Red on clear (single face only) ¹	(blank) AC only	(blank) None
EDGR Recessed LED edge-lit exit	W White	2 Double face	G Green on clear (single face only) ¹	EL Nickel-cadmium battery	WM Recessed wall mount ⁶
			RMR Red on mirror ²	X2 Lamp wired on two separate AC circuits (specify 120V or 277V) ⁴	
			GMR Green on mirror ²	SD Self-diagnostics ⁵	
			RW Red on white ³		
			GW Green on white ³		

Accessories: Order as separate item.	
ELA US12	12" stem kit with brushed aluminum canopy ⁷
ELA W US12	12" stem kit with white canopy ⁷

Notes

- For single-face clear panels, EXIT is seen as a reversed image from the back.
- Available with single and double face.
- White panel standard for double and single face.
- Not available with EL and SD options. Both circuits can be energized at the same time.
- Available with EL option only.
- Available on EDGR single face only
- See spec sheet [ELA-StemKits](#). Only available for EDG.

EDG-EDGR LED, Surface and Recessed Mount Edge-Lit Exits

SPECIFICATIONS

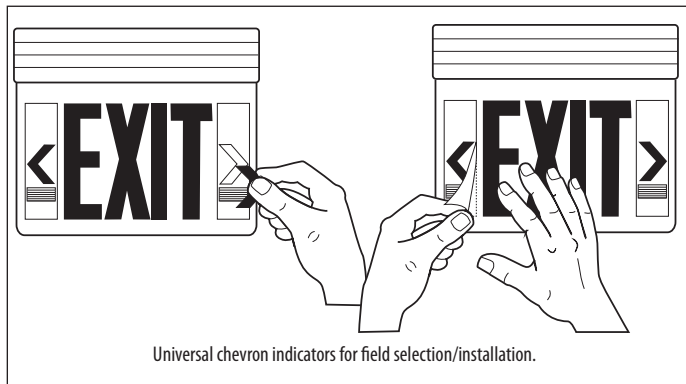
ELECTRICAL						
Primary Circuit						
Type	Typical LED life ¹	Supply voltage	EDG		EDGR	
			Input Watts	Max amps.	Input Watts	Max amps.
Red LED AC only	10 years	120	2.5	0.020	3.8	0.030
		277	2.8	0.010	4.5	0.014
Green LED AC only	10 years	120	2.2	0.020	3.8	0.030
		277	2.2	0.010	4.5	0.020
Red LED emergency	10 years	120	3.0	0.030	3.8	0.031
		277	3.1	0.010	4.5	0.015
Green LED emergency	10 years	120	2.6	0.020	3.8	0.031
		277	2.8	0.010	4.5	0.020

BATTERY (EL option)			
Sealed Nickel-Cadmium			
Shelf life ²	Typical life ²	Maintenance ³	Optimum temperature ⁴
3 years	7-9 years	none	32-122°F (0-50°C)

Notes

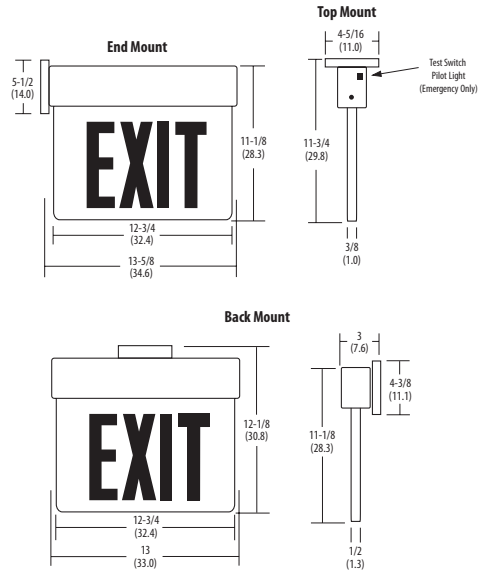
- Based on continuous operation. The typical life of the exit LED lamp is 10 years.
- At 77°F (25°C).
- All life safety equipment, including emergency lighting for path of egress must be maintained, serviced, and tested in accordance with all National Fire Protection Association (NFPA) and local codes. Failure to perform the required maintenance, service, or testing could jeopardize the safety of occupants and will void all warranties.
- Optimum ambient temperature range where unit will provide capacity for 90 minutes. Higher and lower temperatures affect life and capacity.

KEY FEATURES

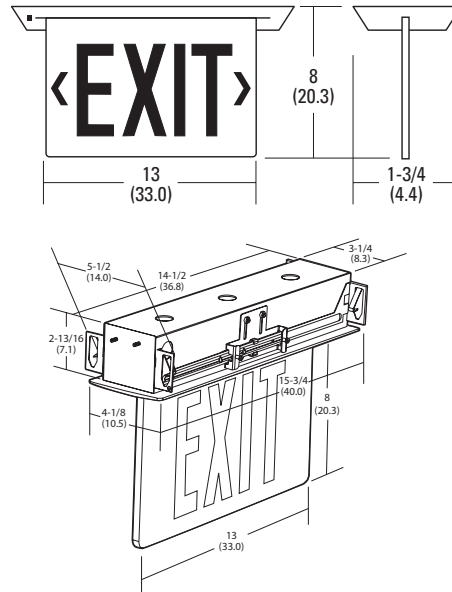


MOUNTING

EDG



EDGR



EDGR WM option

